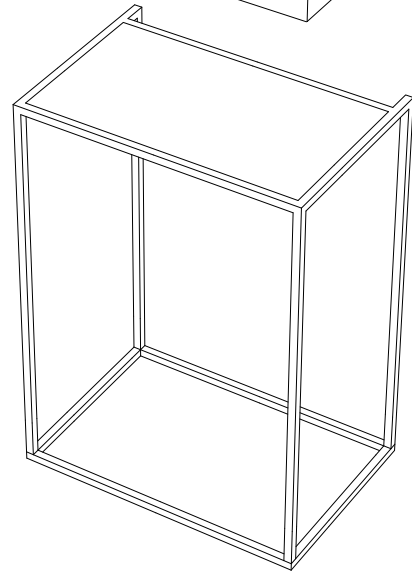
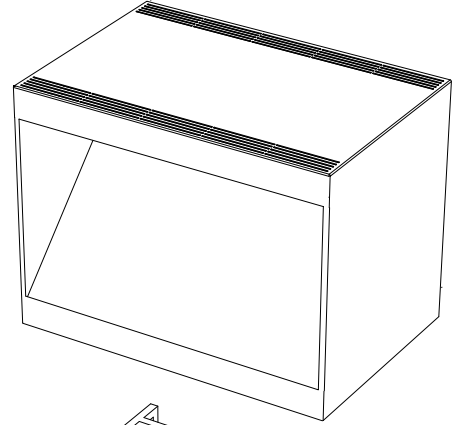


## HC32 specifications

Brightness	1000 cd/m <sup>2</sup>
Viewing angle	176° / 176°
Resolution	1920 x 1080
Contrast ratio	5000:1
Active screen diagonal	32"
Active screen area	27.4" x 15.4"
Internal storage	4 GB MicroSD
Power consumption	85 W
Cooling	Heatsink
Dimensions	29.3" x 19.7" x 22.4" LxWxH
Weight	110.2 LBS
Video content	MPEG-1, MPEG-2, MPEG-4 up to 8 Mbps
Audio	Optional
Power supply	90-240 V AC, 50-60 Hz
Operating conditions	0 – 40°C at max. 80% humidity
OSD Menu	Buttons
Control Button	Power Switch
Content uploading	MicroSD card
Weight Floorstand	22 LBS
Floorstand	29.3" x 19.7" x 40.7" LxWxH



### MATTE COLORS



Black

Material housing: Sheet metal  
Material optics: High tech synthetic  
Finishing: Matte coated with texture

Vinyl Wrapping Available

